

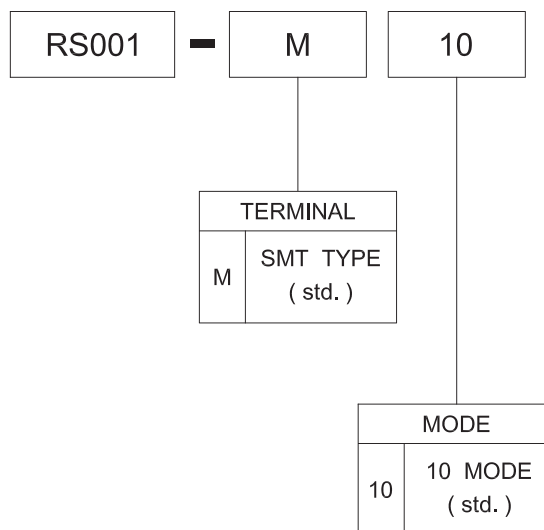
Feature -
 design for digital camera
 10 modes function

Application -
 shutter of still cameras
 and video cameras

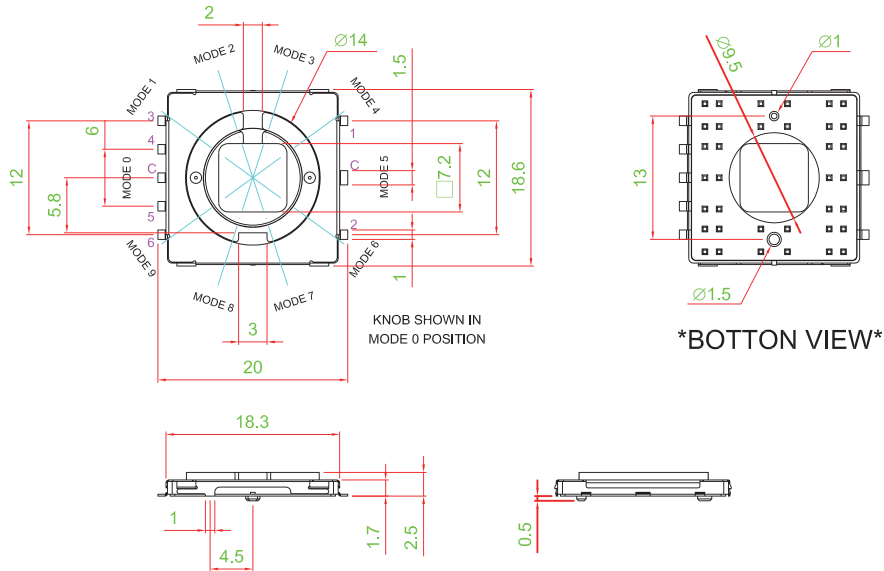
► SPECIFICATIONS

SWITCH SPECIFICATIONS	
POLE - POSITION	SMT TYPE , 10 MODE
CONTACT RATING	12 V DC , 50 mA
CONTACT RESISTANCE	200 mΩ MAX. 5 V DC ; 1 A , by Method of Voltage DROP
INSULATION RESISTANCE	100 MΩ MIN. 500 V DC for 1 minute
DIELECTRIC STRENGTH	Breakdown is not Allowable ; 100 V AC for 1 Minute
OPERATING FORCE	50 gf.cm MAX.
OPERATING LIFE	50,000 cycles
OPERATING TEMPERATURE RANGE	-20°C ~ 70°C

► HOW TO ORDER

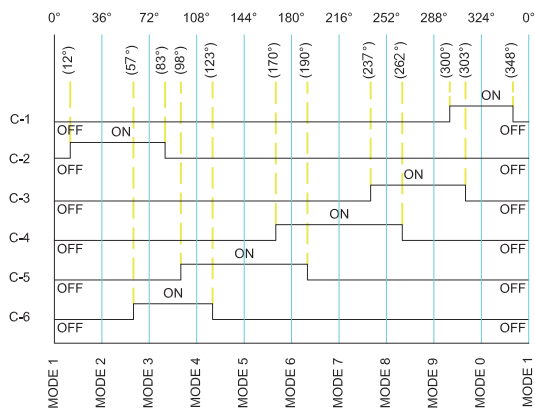


DIMENSION

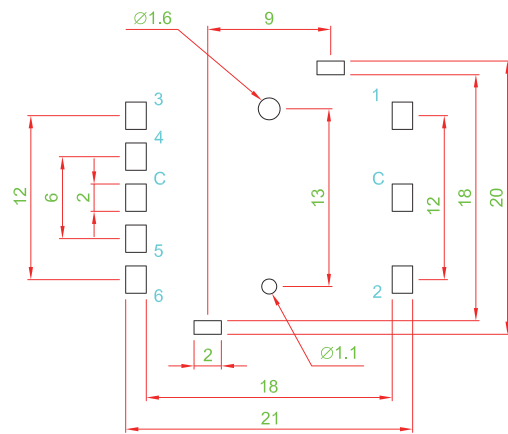


RS001-M10

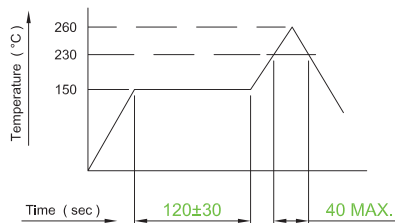
CIRCUIT



P.C.B. LAYOUT



REFLOW SOLDERING



MATERIAL

- COVER : SPCC
- ROTOR : LCP + GF
- FRAME : LCP + GF
- TERMINAL : BRASS SILVER PLATING